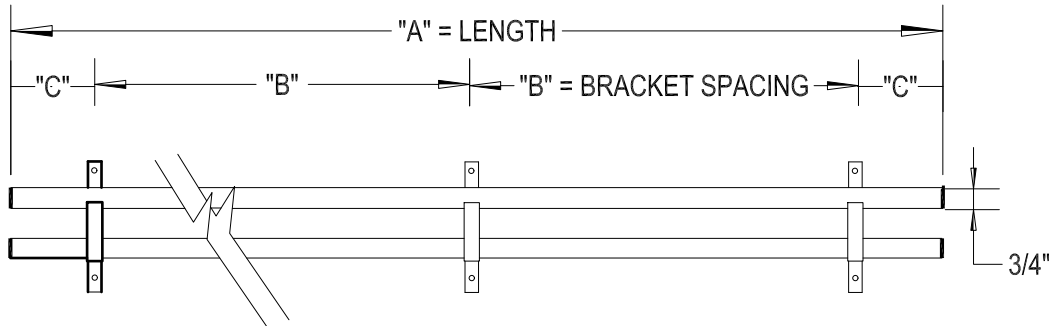


EMCO SPECIALTY PRODUCTS, INC.

408 MIAMI AVE. KANSAS CITY, KS 66105 - 913-281-4555 / FAX. 913-281-4554

#32 COAT RACK INSTALLATION INSTRUCTIONS



(WALL FASTENERS BY OTHERS)

1. DETERMINE LOCATION AND HEIGHT OF THE BRACKETS (SEE NOTES ON SUGGESTED HEIGHT).

2. MARK LOCATION OF WALL BRACKET ON THE WALL USING A CARPENTERS LEVEL TO ENSURE THEY ARE INSTALLED AT THE SAME LEVEL AND PERPENDICULAR TO THE FLOOR. BRACKET SPACING "B" IS LISTED ON THE CUSTOMER COPY OF THE PICKING TICKET AND MUST BE ADHERED TO FOR PROPER SHELF SUPPORT.

3. PREPARE HOLES AND MOUNT AS FOLLOWS: (FASTENERS BY OTHERS).

A. FOR WALLS WITH WOOD STUDS - PREDRILL A 5/32" HOLE 1 1/2" DEEP AND ATTACH WITH #10 X 1 3/4" PAN HEAD WOOD SCREW.

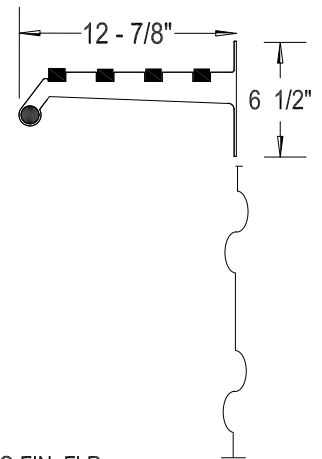
B. FOR WALLS OF HOLLOW MATERIAL SUCH AS TILE - USE 3/16 SPRING WING TOGGLE AND ATTACH WITH 10-24 X 3" PAN HEAD BOLT.

C. FOR WALLS OF SOLID MATERIAL SUCH AS CONCRETE, BRICK, STONE, ETC, USE A #10 DEDICATED MASONRY SCREW A MINIMUM OF 1 1/2" LONG.

4. IF COAT RACK IS TO BE INSTALLED IN A CONFINED AREA SUCH AS A CLOSET, BE SURE TO INSERT THE HANGER ROD IN BRACKETS PRIOR TO ATTACHING THEM TO THE WALL. IF COAT RACK HAS "B" RECEPTACLES THEY MUST BE INSTALLED PRIOR TO INSERTING THE ROD INTO THE BRACKET. SECURE "B" RECEPTACLES ONTO THE HANGER ROD USING #6 X 1/4" SCREWS PROVIDED.

5. SECURE HANGER ROD TO HANGER ROD BRACKET USING #6 X 1/4" SCREW.

6. PLACE SLATS ON BRACKET AND SECURE BY INSERTING #8 X 1" SCREW IN PROPER HOLE UNDER BRACKET, AND TIGHTENING WITH PHILLIPS HEAD SCREWDRIVER. WHEN TIGHTENING SLAT TO BRACKET, THE SLAT SHOULD BE HELD TIGHT TO THE BRACKET WITH YOUR HAND. THIS WILL INSURE PROPER SEATING.



SUGGESTED HEIGHT TO FIN. FLR.
42" THRU 5th GRADE, - 60", 6th THRU ADULT

CAUTION: DO NOT OVER TIGHTEN THE SCREWS SECURING THE SLAT AS IT WILL STRIP THE SCREW AND PREVENT IT FROM HOLDING THE SLAT IN PLACE.