

EMCO SPECIALTY PRODUCTS, INC.

408 MIAMI AVE. KANSAS CITY, KS 66105 - 913-281-4555 / FAX. 913-281-4554

MODEL #20 ASSEMBLY INSTRUCTIONS

1. To assemble your floor rack, we begin by installing the feet at the bottom of the two verticals. Loosen the four screws to about half an inch then slide the four plastic feet on to the two verticals and retighten the screws. see FIG #1

2. Installation of the stabilizer bar is next, this process will be easier with one person supporting the vertical and another attaching the bar. Fasten the stabilizer bar to the vertical as shown in FIG 1 with the #10 x 3/4 sheet metal screw into the pre drilled holes. Repeat this process for the second vertical.

3. Attaching the shelf comes next and is accomplished by merely positioning the shelf between the two verticals and securing them with the #10 - 24 PRHMS screws and acorn nuts. see FIG 2 Insert the hanger rod through either hole on the side of the verticals. Position rod evenly between the verticals and secure it with the rod set screws provided. Finally insert the two plastic plugs into the rod access holes on the verticals.

Note if the floor rack comes with an accessory package, proceed to the "Accessories Assembly" instructions.

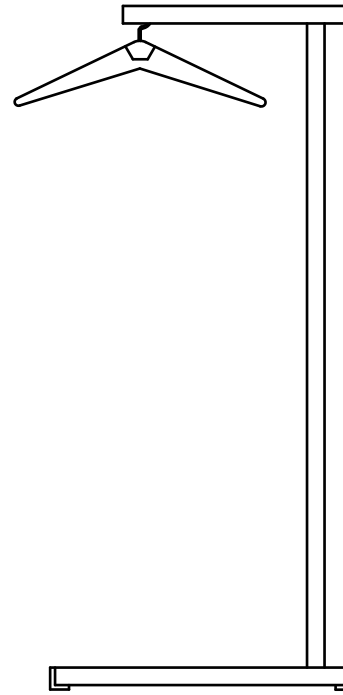


FIG 1

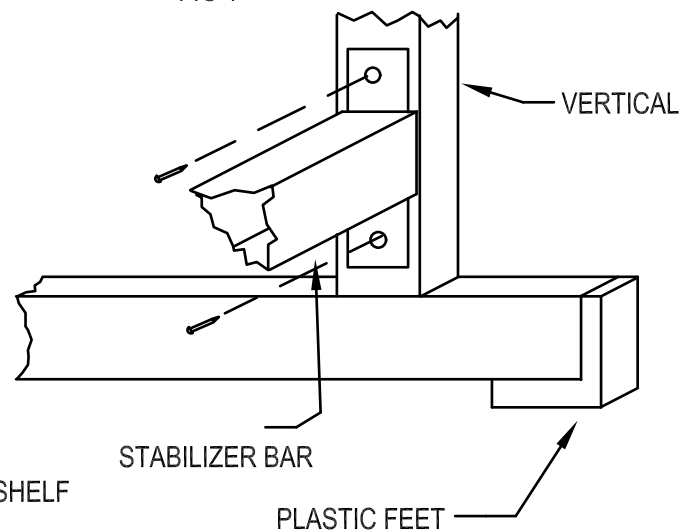


FIG 2

