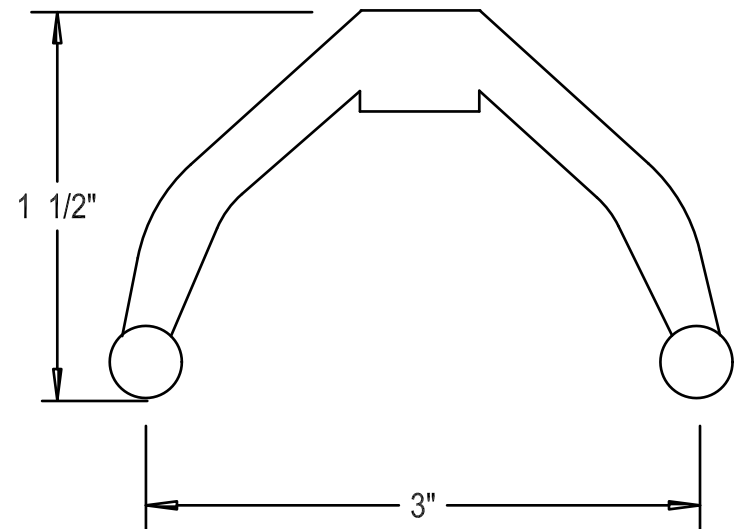
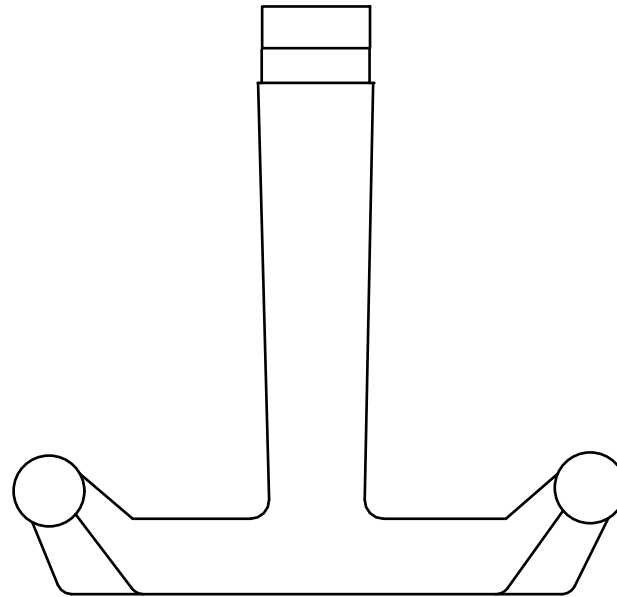
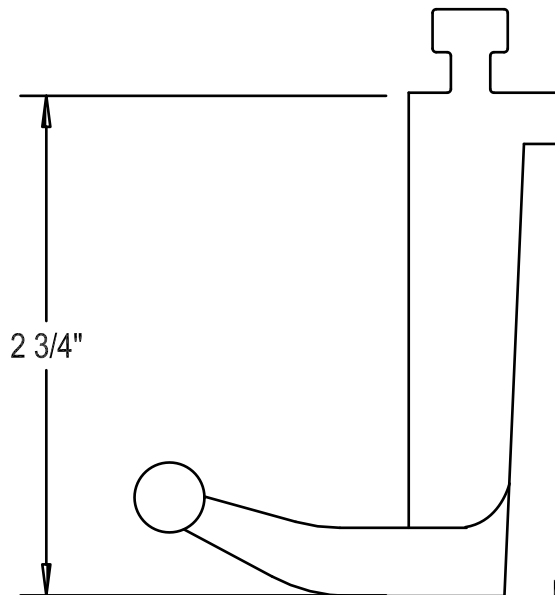


EMCO SPECIALTY PRODUCTS, INC.
408 MIAMI AVE.
KANSAS CITY, KS 66105
913-281-4555 / FAX. 913-281-4554

10HK HOOK

DESIGNED FOR USE WITH THE H1, H2 , AND HOOK STRIP SHELVES

AVAILABLE IN: BLACK
DARK BROWN
GREY
RED
ORANGE
YELLOW
GREEN
BLUE
PURPLE



MANUFACTURED FROM HIGH STRENGTH LEXAN POLYCARBONATE