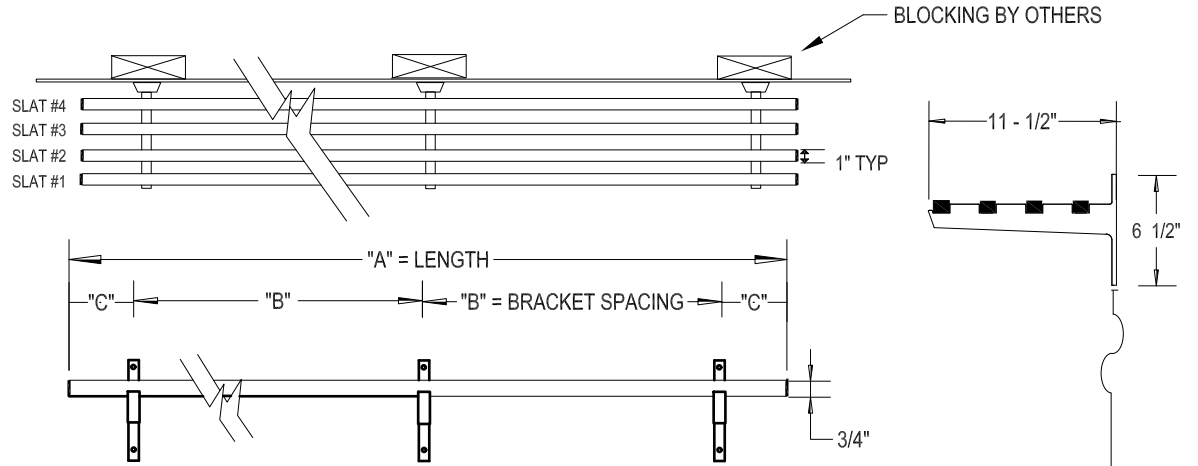


EMCO SPECIALTY PRODUCTS, INC.
 408 MIAMI AVE.
 KANSAS CITY, KS 66105
 913-281-4555 / FAX. 913-281-4554

31 SHELF

BRACKET:
 DIECAST ALUMINUM, POWDER COATED BLACK

SLAT TYPE:
 A. SILVER ANODIZED ALUMINUM WITH PLASTIC END CLOSURES.
 B. BRONZE ACRYLIC COATED ALUMINUM WITH PLASTIC END CLOSURES.
 C. AMERICAN WALNUT HARDWOOD
 D. MEDIUM OAK HARDWOOD
 E. LIGHT OAK HARDWOOD



(WALL FASTENERS BY OTHERS)

SUGGESTED HEIGHT TO FIN. FLR.
 42" THRU 5th GRADE, - 60", 6th THRU ADULT
 (IF USED AS A BOOT RACK THE BOTTOM OF THE BRACKET SHOULD BE 7" ABOVE THE FLOOR)

NOTE: #30 SERIES RACKS ARE LIMITED TO 8'-0" LENGTH MAXIMUM.

PLEASE SPECIFY

ITEM	QUAN.	LOCATION	LENGTH "A"	BRACKETS		OVERHANG "C"	SLAT TYPE	ADD'L DRWG #	SPLICE
				NO.	"B"				
A									
B									
C									
D									
E									
F									

PROJECT: _____
 LOCATION: _____
 DISTRIBUTOR: _____
 DRAWING NO: _____ DATE: _____
 SHEET _____ OF _____ REVISIONS: _____