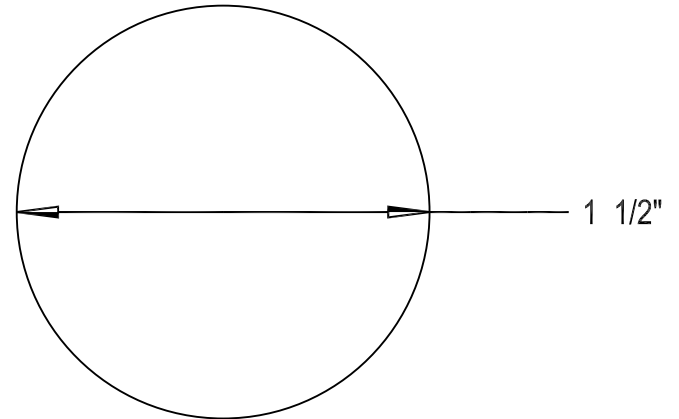
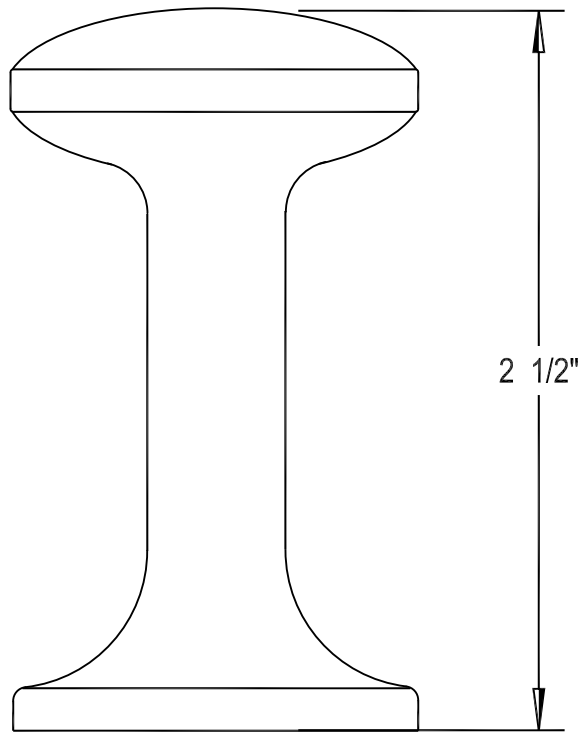


# EMCO SPECIALTY PRODUCTS, INC

408 MIAMI AVE. KANSAS CITY, KS 66105 913-281-4555/FAX 913-281-4554

## P1 HOOK



TOP VIEW

### NOTES:

1. ALUMINUM

2. COLORS: SILVER, BLACK