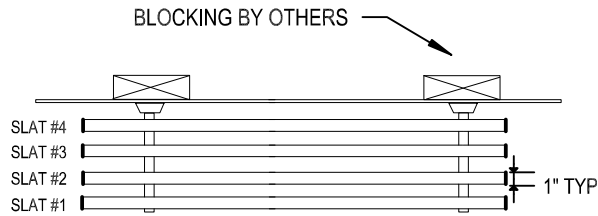
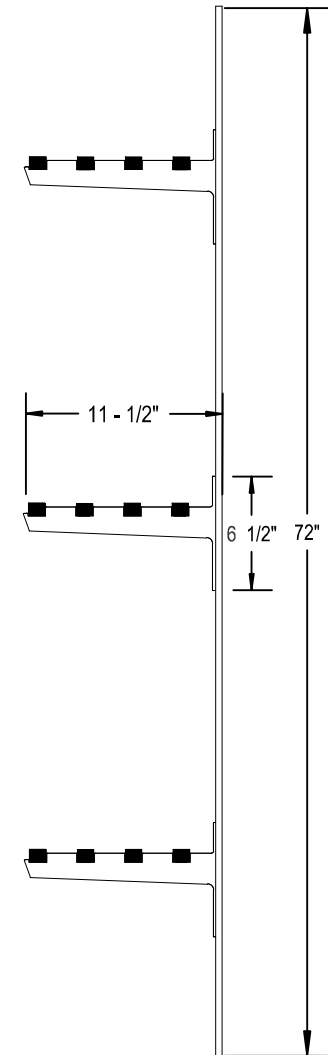
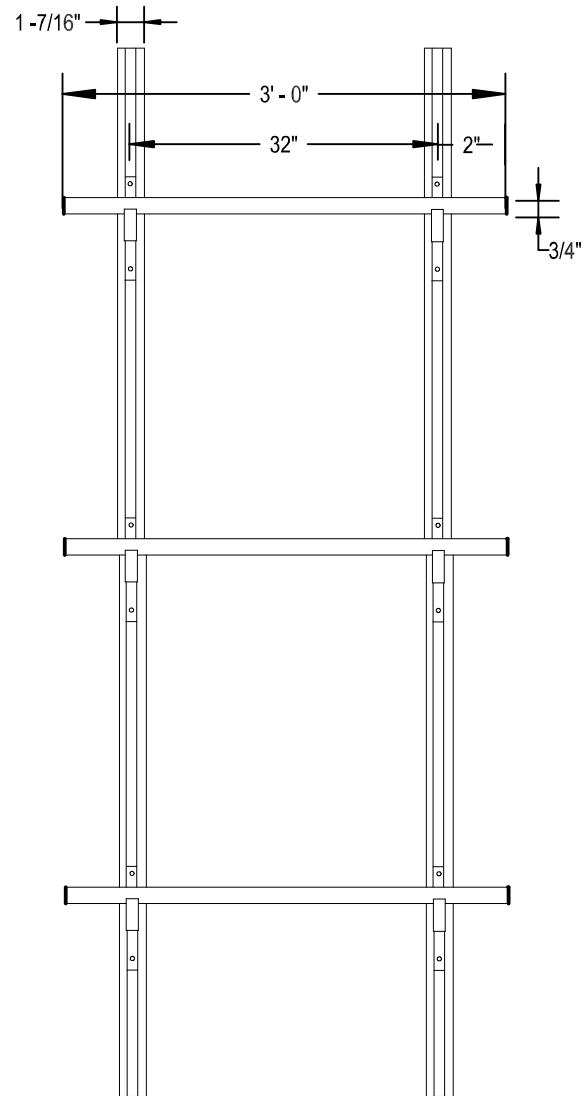


EMCO SPECIALTY PRODUCTS, INC.  
408 MIAMI AVE.  
KANSAS CITY, KS 66105  
913-281-4555 / FAX. 913-281-4554  
info@emcospi.com

# 3' MULTI-SHELF STORAGE UNIT SYSTEM



BRACKET:  
DIECAST ALUMINUM, POWDER COATED BLACK

WALLSTRIP:  
EXTRUDED ALUMINUM, POWDER COATED BLACK

HANGER ROD:  
EXTRUDED ALUMINUM TUBE, POWDER COATED BLACK  
WITH PLASTIC END CLOSURES.

SLAT TYPE:  
SILVER ANODIZED ALUMINUM WITH PLASTIC END  
CLOSURES.