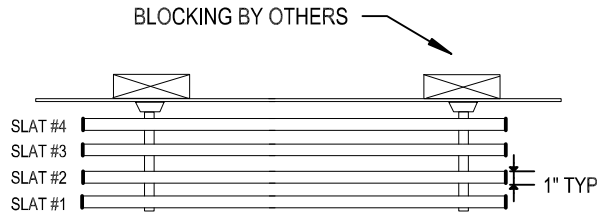
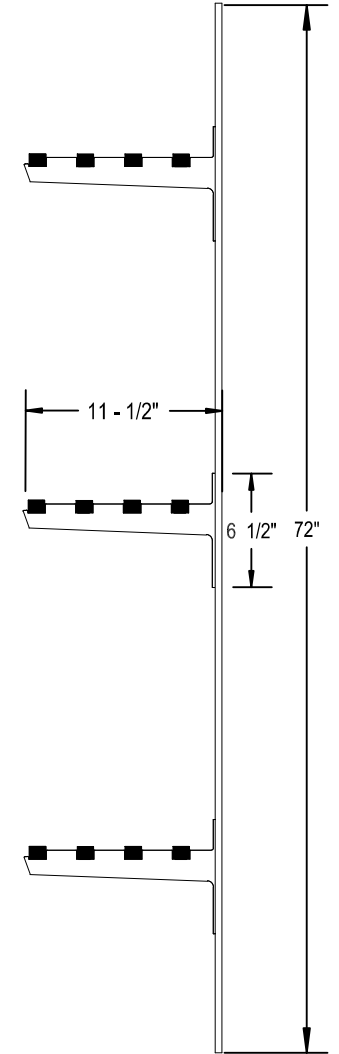
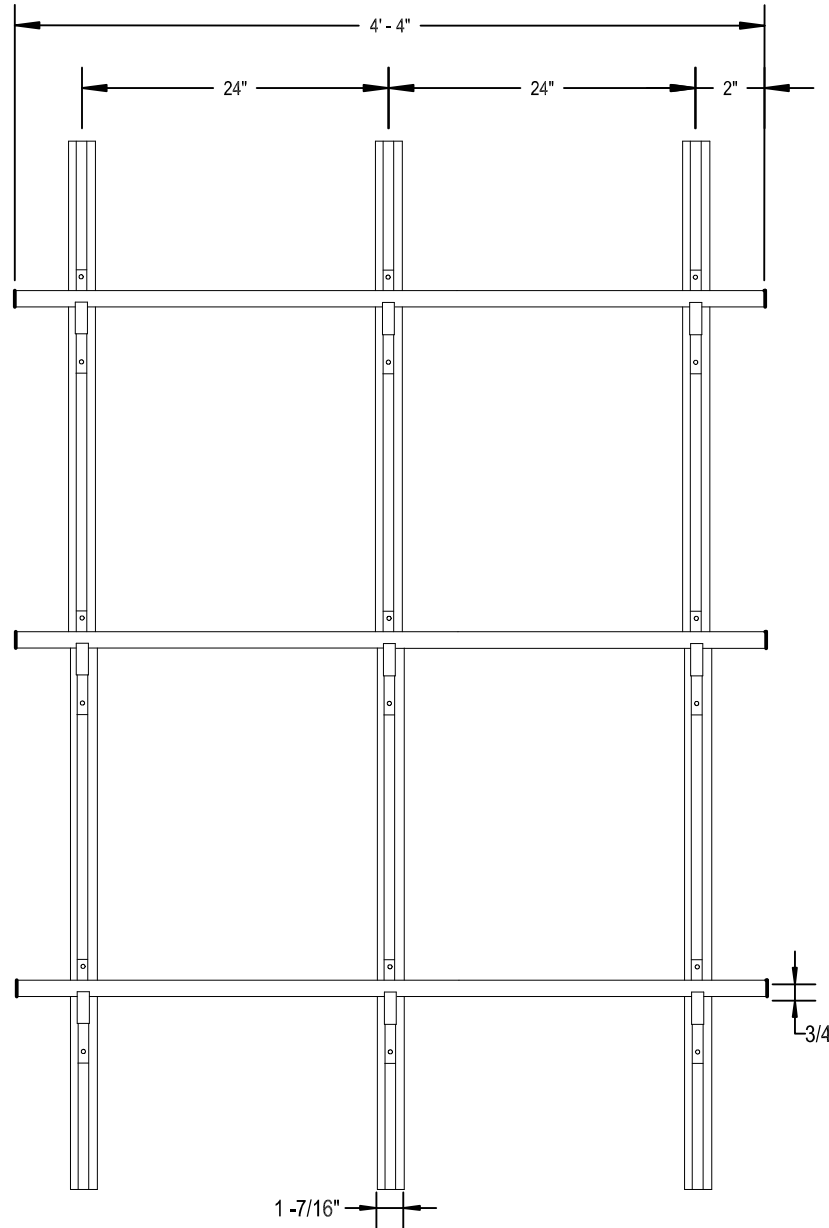


EMCO SPECIALTY PRODUCTS, INC.  
 408 MIAMI AVE.  
 KANSAS CITY, KS 66105  
 913-281-4555 / FAX. 913-281-4554  
 info@emcospi.com

# 4' MULTI-SHELF STORAGE UNIT SYSTEM



- BRACKET:**  
 DIECAST ALUMINUM, POWDER COATED BLACK
- WALLSTRIP:**  
 EXTRUDED ALUMINUM, POWDER COATED BLACK
- HANGER ROD:**  
 EXTRUDED ALUMINUM TUBE, POWDER COATED BLACK  
 WITH PLASTIC END CLOSURES.
- SLAT TYPE:**  
 SILVER ANODIZED ALUMINUM WITH PLASTIC END  
 CLOSURES.